

Air Booster BBQ JET

Briquette Starter

Model: 12010



Boost your barbeque ready in only 8 minutes.

BBQ JET Air Booster lights the briquettes ready for use in just 8 minutes.

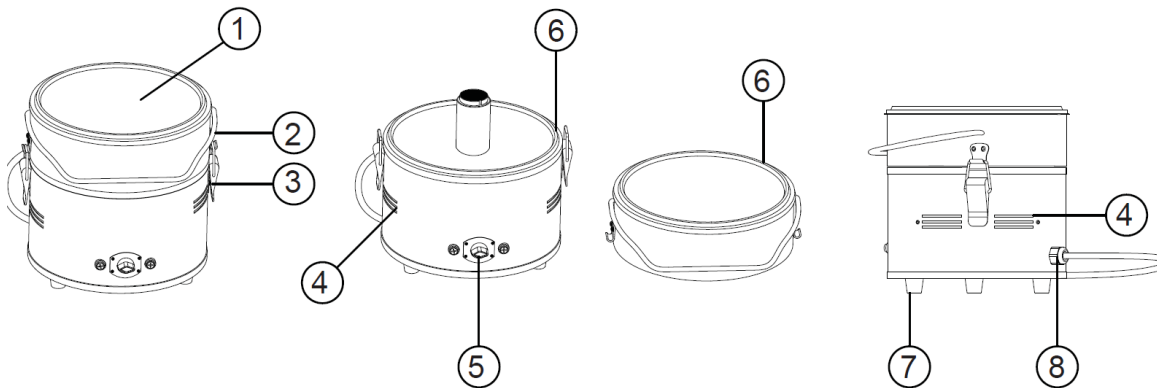
BBQ JET Air Booster is safe, quick and easy to use and store.

Welcome

Congratulations on your purchase. We hope that you will enjoy your BBQ JET Air Booster / Briquette Starter. Please read the safety instructions carefully before using BBQ JET Air Booster. Save the instructions and the receipt and, if possible, also the packaging. If you give BBQ JET Air Booster to someone else, make sure you hand over the safety instructions together with BBQ JET Air Booster.

If you have any questions about the product, please visit our website www.natureofbarbecuing.com.

Product Overview



1. Safety lid / platform
2. Carrying handle
3. Clips to secure the safety lid
4. Ventilation slats
5. Timer (minutes)
6. Safety rim
7. Rubber feet
8. Cable

Safety Instructions

- BBQ JET Air Booster is for private use only. It is designed for lighting up briquettes placed in a barbecue chimney starter. The BBQ JET Air Booster is not designed for industrial use.
- Keep BBQ JET Air Booster away from water and moisture. Never use water or liquids for cleaning.
- Never use BBQ JET Air Booster when your hands are wet or if it is damp or wet. If the BBQ JET Air Booster gets wet during use, it has to be disconnected from the electricity grid immediately by pulling the plug out of the electric socket. Never disconnect by pulling the cable.
- Always disconnect BBQ JET Air Booster by pulling the plug whenever BBQ JET Air Booster is not in use or in the event of a defect.
- NEVER leave BBQ JET Air Booster unsupervised when it is on.
- Inspect BBQ JET Air Booster and the cable regularly for visible damages. Discontinue the use of the briquette starter immediately if any damages are found.
- Never repair BBQ JET Air Booster yourself. Always seek authorised help.
- After unpacking BBQ JET Air Booster, remove all packaging and store out of the reach of children.
- BBQ JET Air Booster must only be used by persons older than 18 years.
- BBQ JET Air Booster is designed for use over a period of up to 15 minutes. After that it has to cool down.
- Special attention should be paid to the "Special Safety Precautions" below.

⚠ Warning!

Never allow small children to play with cling film or the like to avoid risk of suffocation.

Special Safety Precautions

⚠ WARNING:

- The heating element becomes extremely hot during use and remains so for a few minutes after BBQ JET Air Booster has been turned off.
NEVER keep anything above BBQ JET Air Booster but a barbecue chimney starter full of briquettes.
- BBQ JET Air Booster is for outdoor use only.
- Use BBQ JET Air Booster on a level, stable and non-combustible foundation.
- Always maintain a safety distance of at least 2 metres from any inflammable surfaces.
- For reasons of safety, never use BBQ JET Air Booster when there is strong wind.
- Do not expose BBQ JET Air Booster to rain or moisture!
- **IMPORTANT:** Do not leave BBQ JET Air Booster unattended after use until it has completely cooled down.
- Do not move BBQ JET Air Booster while it is in use and before it has completely cooled down.
- Always allow BBQ JET Air Booster to cool down completely before packing it up.
- Never leave BBQ JET Air Booster on without placing a barbecue starter with briquettes on BBQ JET Air Booster
- **IMPORTANT: ALWAYS KEEP CHILDREN AND PETS AWAY FROM BBQ JET Air Booster!**

Power

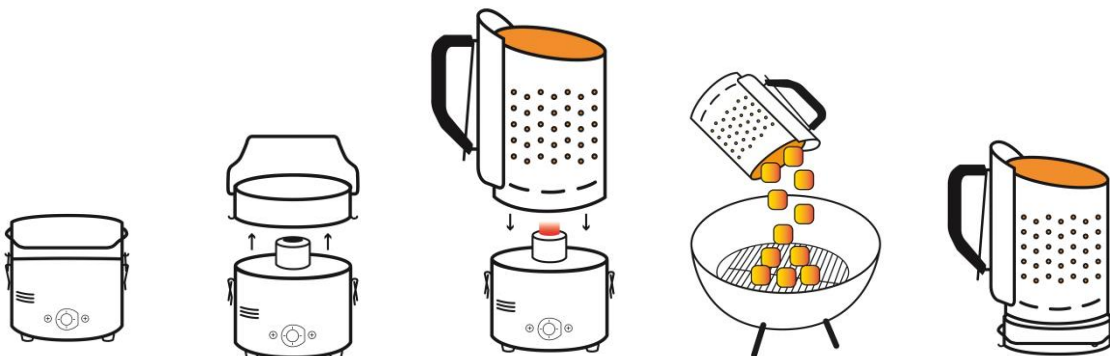
- Connect BBQ JET Air Booster to 230 V, 50 Hz. When using extension cord or cable drum, make sure the cable size is at least 1.5 mm².

⚠ Warning:

- When using extension cord or cable drum, these have to be routed so that no children, pets or anyone else can pull the cable or stumble on it.
- BBQ JET Air Booster may be used for up to 15 minutes, after which it must be allowed to cool down.
- IP20 Class I – only for outdoor use in dry environments.
- Power: 2,000 W
- Input: 230 V AC, 50 Hz

User manual

- How to use BBQ JET Air Booster



- Place BBQ JET Air Booster on a level, stable and non-combustible foundation. Make sure there are no inflammable items in a radius of at least 2 metres.
- Pour briquettes into the barbecue chimney starter (the briquettes and the barbecue chimney starter are not supplied).

- Tips: To make it go extra quickly, pour half the briquettes into the barbecue chimney starter. Next, light up a couple of firestarters, which are placed on top of the briquettes. After that, carefully pour the rest of the briquettes into the barbecue chimney starter.
- Remove the safety lid of the BBQ JET Air Booster and place it near the briquette starter. The safety lid, supplied with a locking mechanism and a handle, serves both as a protective lid and a platform for the hot barbecue chimney starter after the briquettes have been poured into the cooking grate.
- Start the BBQ JET Air Booster by setting the minute timer to the desired number of minutes, for example 10 minutes for a barbecue chimney starter full of briquettes.
Important: Start BBQ JET Air Booster BEFORE placing the barbecue chimney starter with briquettes on top. The BBQ JET briquette starter will automatically switch off after the preset time.
- Place the barbecue chimney starter on top of BBQ JET Air Booster. Important: Make sure that it is placed on a stable foundation and that there are no inflammable surfaces/objects within a distance of at least 2 metres.
- Make sure that the cord is securely routed so that no one can stumble on it and so that it cannot come into contact with the BBQ JET Air Booster.
- **Keep BBQ JET Air Booster under constant supervision.**
- Wait about 8-10 minutes until the briquettes are ready.
- Once the briquettes are ready, pour them directly into the barbecue – **BBQ JET Air Booster may NOT be turned off before the barbecue chimney starter has been removed from BBQ JET Air Booster.** This is done in order to avoid briquette particles from falling down into the heating element.
- Place the hot barbecue chimney starter on the BBQ JET Air Booster platform/safety lid in order to avoid singing and heat stains on the grass or wood deck.
- Turn off BBQ JET Air Booster, if it has not switched off automatically, by rotating the timer to zero.
- Make sure that BBQ JET Air Booster is under supervision until it has completely cooled down. Keep children and pets away from BBQ JET Air Booster. It becomes VERY hot! Once BBQ JET Air Booster has completely cooled down, it can be packed up. Store BBQ JET Air Booster in a dry and warm place - out of the reach of children.
- Do not pack BBQ JET Air Booster in plastic.
- Do not place BBQ JET Air Booster in direct sunlight because the temperature control fuse can switch off the heating element.
- IMPORTANT: Inspect your barbecue chimney starter before use. BBQ JET Air Booster releases air that is many hundreds of degrees hot. We recommend **Nature BBQ chimney starter** where the grating is secured tightly into the tube holes of the barbecue starter. With some barbecue starters, where the grating is secured with blind rivets, there is a risk of the welds/hard soldering melting and the briquettes falling out onto BBQ JET Air Booster and the surface on which it is placed. Such situation poses a risk of fire because the briquettes might be already burning. BBQ JET Air Booster can be damaged, and burning briquettes on the ground pose a risk of fire. There is also a risk of personal injury.
- BBQ JET Air Booster is suitable for most barbecue starters.
- Always use barbecue gloves.

NOTE:

Ignition time:

- The ignition time varies depending on the amount, quality, briquette type and moisture content.
- A Nature BBQ Grillstarter full of Nature briquettes will be ready after 8-10 minutes depending on the wind and weather conditions, as well as on the moisture content of the briquettes.
- A peculiar odour can appear the first couple of times when BBQ JET Air Booster is used due to the high temperature. The odour occurs when the metal is heated to several hundred degrees. Note that the odour is harmless and will disappear after a short time.



Produced in China for:

Fritz Schur Consumer Products A/S

Esplanaden 40

DK-1263 Copenhagen K

Denmark

Tel.: +45 36 96 00 50

www.schur-consumer.com

www.natureofbarbecuing.com